

# GreenLAB Technologies

## VERSATILE MANAGEMENT SYSTEM - VMS



Master Module



Remote Module

Patented

10 x More Energy Efficient

Wireless Monitor & Control

### A Wireless Platform that Improve Productivity

Monitoring for

- Machine Start / Stop
- No. of Parts Produced
- Power Consumption
- Oil / Coolant Usage

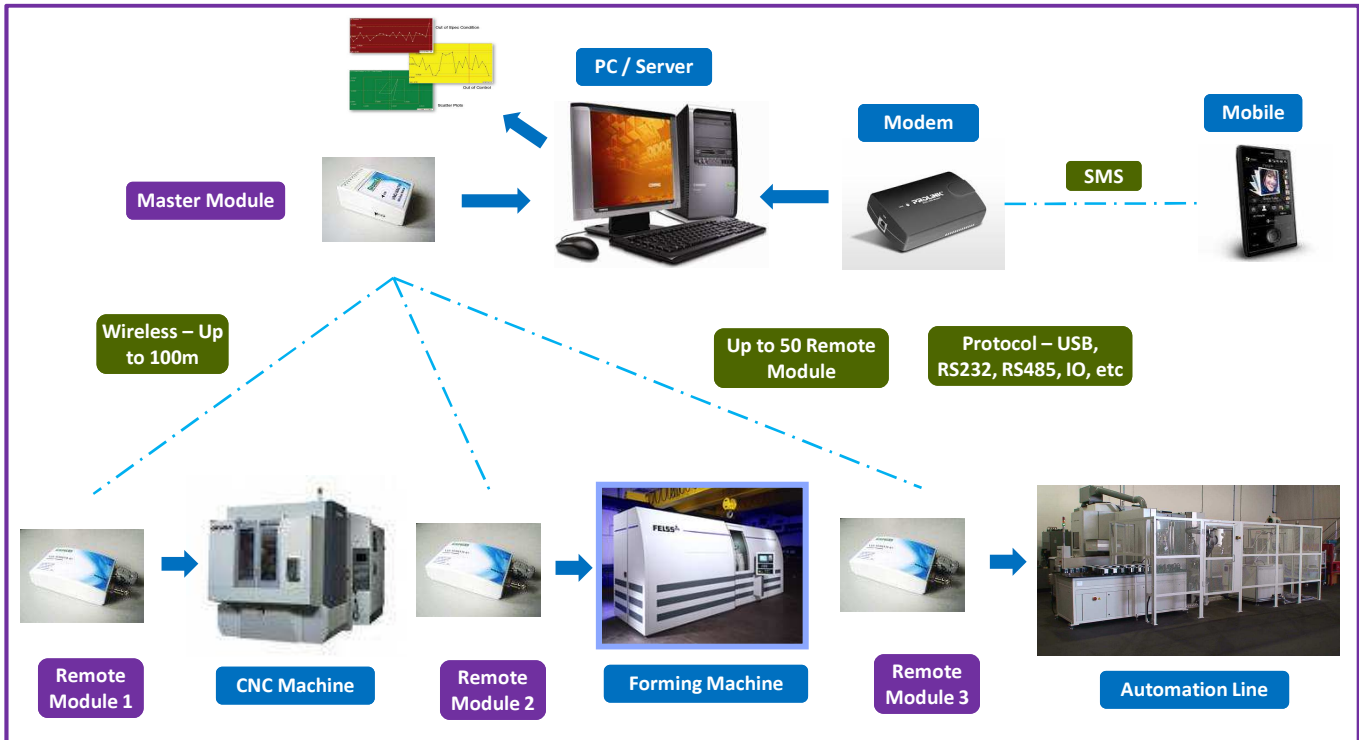
SMS for Machine Breakdown

Compile Machine Utilization

'OFF' Machine at Stipulated Time

Alert for

- Preventive Maintenance
- Lubricant Low
- Overheat



Tel: (65) 6556 2890 Fax: (65) 6555 5783

Website: [www.greenlab.com.sg](http://www.greenlab.com.sg)

# GreenLAB Technologies

## VERSATILE MANAGEMENT SYSTEM - VMS

### VMS Modules Technical Specifications

#### VMS Master Module



#### VMS Master Module Features

- Plug & Play to Computer
- 2.4GHz – Certified Wireless Standard
- Wireless Mesh Networking
- Robust, Mobile and Fluid Network
- Can Communicate up to 100 Remote Modules with one Master Module
- Master Module is Expandable to Use for more Computers for further distance
- Data Transferred is Secured – 128 bit AES Encryption
- Authentication Type: Shared Key

#### VMS Remote IO Module



#### VMS Remote Module Features

- Plug & Play to External Peripherals
- Programmable 8 Input / Output
- Configurable Analogue or Digital Signal
- Adaptable with many Protocols – RS232, RS485, USB, Micro USB, etc.
- Remote Modules can communicate with adjacent Remote Modules as far as 20 meters for Lower Version Models
- For Higher Version Models, it can be extended up to 100 meters

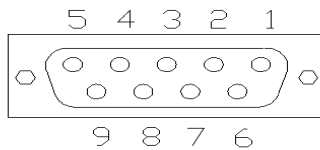
Tel: (65) 6556 2890 Fax: (65) 6555 5783  
Website: [www.greenlab.com.sg](http://www.greenlab.com.sg)

# GreenLAB Technologies

## VERSATILE MANAGEMENT SYSTEM - VMS

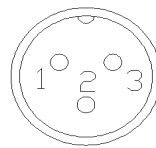
### VMS Remote I/O Module Connectors Configuration

#### DB9 Connector



Pin No DB9 Connector	Color Code	Module I/O Socket Connection
1	Brown	A1
2	Red	A2
3	Pink	DI1
4	Orange	DI2
5	Purple	DI3
6	Blue	DO1
7	Grey	DO2
8	White	DO3
9	Black	GND

#### Power Connector



Pin No Connector	Color Code	AC Power Input
1	Red	Line
2	NC	
3	Blue	Neutral

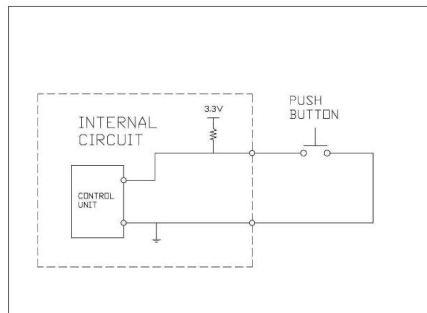
Tel: (65) 6556 2890 Fax: (65) 6555 5783  
Website: [www.greenlab.com.sg](http://www.greenlab.com.sg)

# GreenLAB Technologies

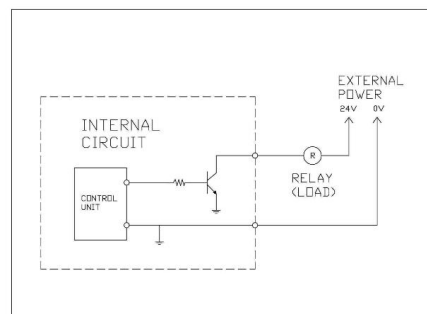
## VERSATILE MANAGEMENT SYSTEM - VMS

### VMS Remote I/O Module Wiring Connection

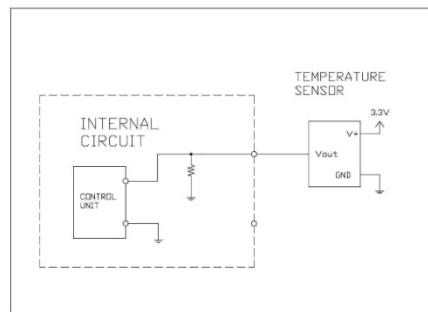
#### *Example Connection for Digital Input*



#### *Example Connection for Digital Output*



#### *Example Connection for Analog Output*



*Note: Connection might be different depend of external device*